

# Hand Lever Cage Clamps

- Our Cage Clamps will align pipe through Schedule 80.
- Cage Clamps are intended for alignment use only and are not designed to reform pipe.
- Each size Clamp fits one specific pipe diameter.
- If the O.D. of the pipe varies more than +/- 3/16" (5 mm) from the indicated Clamp diameter, pipes may not align accurately.

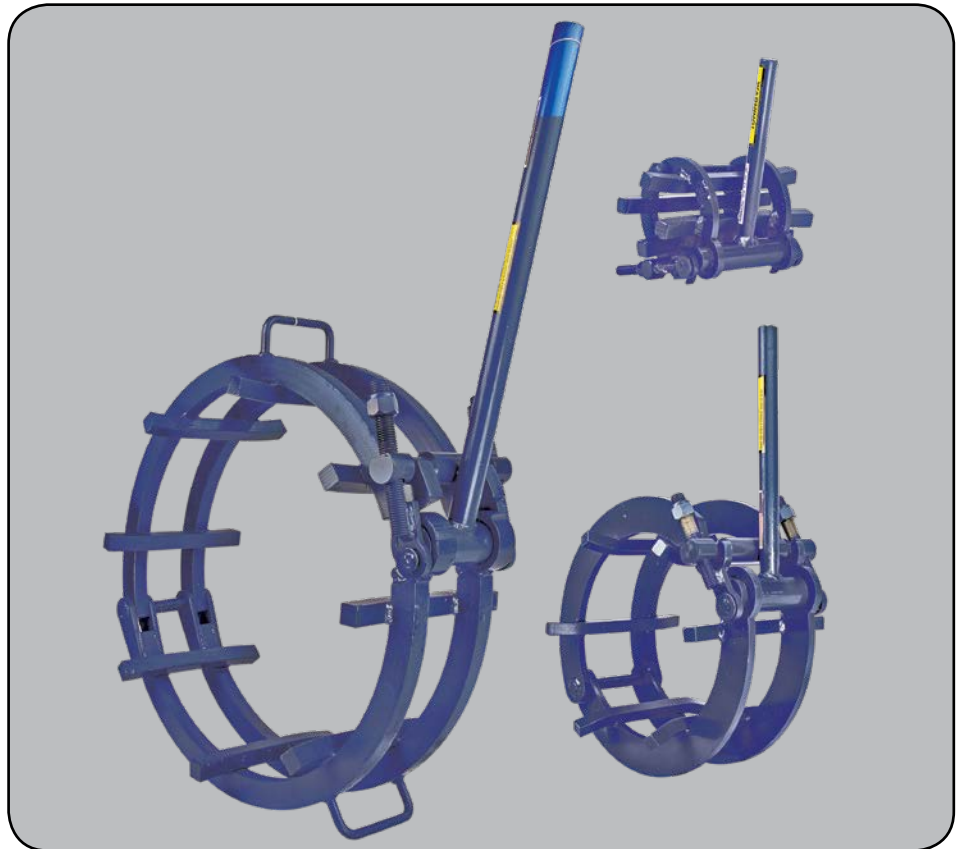
## CAGE CLAMP CROSS BAR DESIGNS

Cross bars are available in stainless steel for stainless and other specialty alloy applications.

Tack-type straight cross bars have flared ends so pipes can be moved easily into position and clamped. After the pipe is tack welded, the clamp is removed from the pipe and the weld is completed.



No-tack cross bars are arched to permit a full-circle weld without removing the Clamp. The no-tack Clamp can help increase welding quality and efficiency.



HAND LEVER CAGE CLAMP						
CAGE CLAMP HAND LEVER TACK TYPE PART NUMBER	CAGE CLAMP HAND LEVER NO-TACK TYPE PART NUMBER	Pipe Size Range (in/mm)	Shipping Weight		Shipping Dimensions	
			lbs	kg	in	mm
01.0505.001	NA	2 / 51	12.0	5.4	12X12X12	305x305x305x
01.0505.002	NA	3 / 76	17.0	7.7	12X12X12	305x305x305x
01.0505.003	01.0505.N03	3.5 / 89	19.0	8.6	12X12X12	305x305x305x
01.0505.004	01.0505.N04	4 / 102	19.0	8.6	12X12X12	305x305x305x
01.0505.005	01.0505.N05	5 / 127	32.0	14.4	12X12X12	305x305x305x
01.0505.006	01.0505.N06	6 / 152	32.0	14.4	12X12X12	305x305x305x
01.0505.007	01.0505.N08	7 / 177	32.0	14.4	12X12X12	305x305x305x
01.0505.008	01.0505.N08	8 / 203	33.0	14.9	18X18X18	457x457x457
01.0505.010	01.0505.N10	10 / 254	51.0	23.0	18X18X18	457x457x457
01.0505.012	01.0505.N12	12 / 305	53.0	23.9	24X24X18	610x610x457
01.0505.014	01.0505.N14	14 / 356	70.0	31.5	24X24X18	610x610x457
01.0505.016	01.0505.N16	16 / 406	102.0	45.9	24X24X18	610x610x457
01.0505.018	01.0505.N18	18 / 457	110.0	49.5	32X32X24	812x812x610
01.0505.020	01.0505.N20	20 / 508	120.0	54.0	32X32X24	812x812x610
01.0505.022	01.0505.N22	22 / 559	125.0	56.3	32X32X24	812x812x610
01.0505.024	01.0505.N24	24 / 610	126.0	56.7	36X36X24	914x914x610
01.0505.026	01.0505.N26	26 / 660	130.0	58.5	36X36X24	914x914x610
01.0505.028	01.0505.N28	28 / 711	148.0	66.6	36X36X24	914x914x610
01.0505.030	01.0505.N30	30 / 762	160.0	72.0	42X42X24	1067x1067x610
01.0505.032	01.0505.N32	32 / 812	168.0	75.6	42X42X24	1067x1067x610
01.0505.034	01.0505.N34	34 / 864	174.0	78.3	48X48X24	1219x1219x610
01.0505.036	01.0505.N36	36 / 914	180.0	81.0	48X48X24	1219x1219x610
01.0505.038	01.0505.N38	38 / 965	255.0	114.8	50X50X24	1270x1270x610
01.0505.040	01.0505.N40	40 / 1016	298.0	134.1	50X50X24	1270x1270x610
01.0505.042	01.0505.N42	42 / 1067	308.0	138.6	60X60X24	1524x1524x610
01.0505.048	01.0505.N48	48 / 1219	348.0	156.6	60X60X24	1524x1524x610
01.0505.054	01.0505.N54	54 / 1372	395.0	177.8	72X72X24	1828x1828x610
01.0505.060	01.0505.N60	60 / 1524	445.0	200.3	72X72X24	1828x1828x610

Clamps with stainless steel contact points or for odd-size pipe available on request.

Add SS at end of part number for stainless steel.