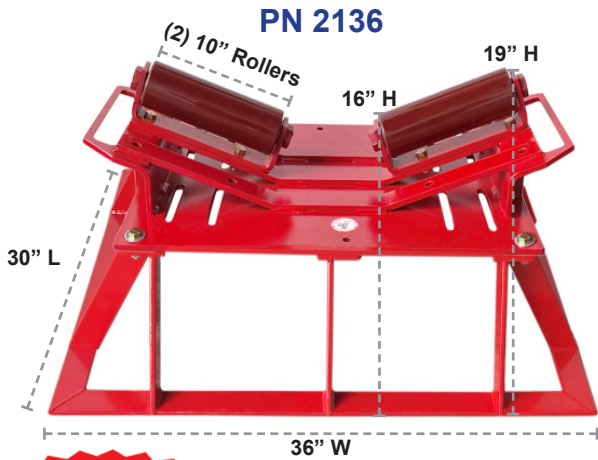
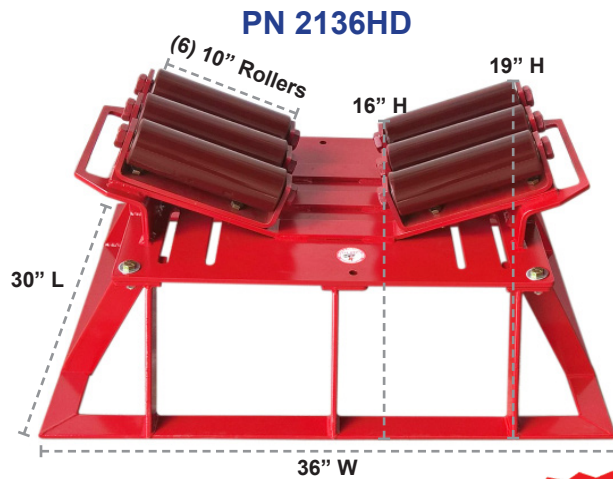




SPEC SHEET
16" - 60"
Pipe Launcher
PN 2136



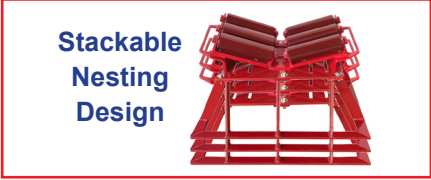
CONVERTIBLE!
 Remove base for
 beam clamp roller.



EXPANDABLE!
 Add rollers to
 increase capacity.

SPECIFICATIONS

- Pipe capacity: 16" - 60"
- Weight capacity: PN 2136 - 10,000 lbs.
 PN 2136HD - 20,000 lbs.
- Shipping weight: PN 2136 - 178 lbs.
 PN 2136 HD - 229 lbs.
- Dimensions: PN 2136 - 30" L x 36" W x 16" - 19" H
 PN 2136HD - 30" L x 36" W x 16" - 19" H
- Urethane over steel wheels with sealed bearings.
- 10" wheels.
- 2136: 2 wheels, 10,000 lbs. capacity
 2136HD: 6 wheels, 20,000 lbs. capacity
- All wheels and housings are replaceable.
- Carry handles.
- Powder coated safety red.
- Stackable nesting design.



PN	Description	Pipe Capacity	Weight Capacity	Shipping Weight	Dimensions (inches) L x W x H1-H2
2136	Pipe Launcher (Two Rollers)	16" - 60"	10,000 lbs	178	30" x 36" x 16" - 19"
2136HD	Pipe Launcher HD (Six Rollers)	16" - 60"	20,000 lbs	229	30" x 36" x 16" - 19"