

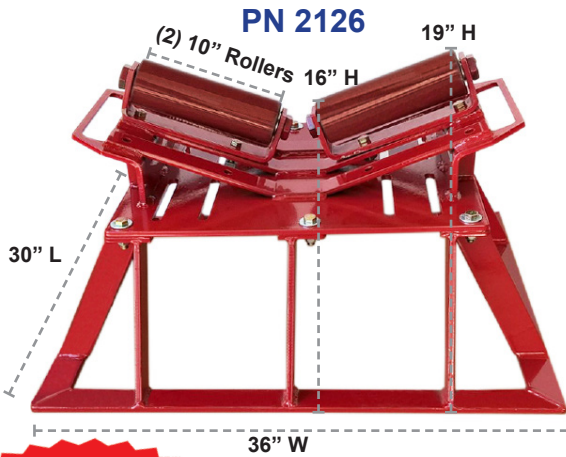


# SPEC SHEET

## 4" - 48"

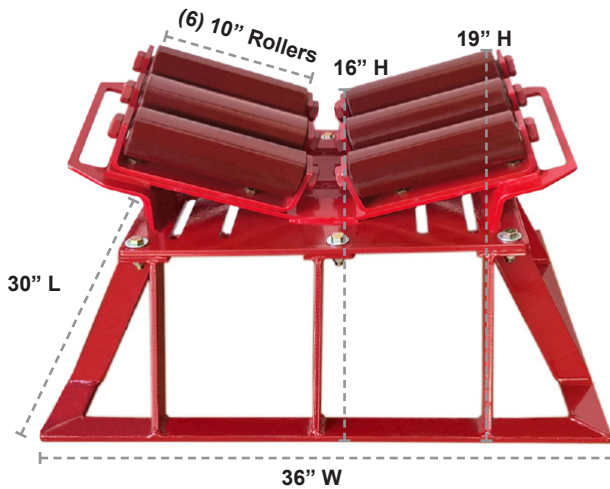
### Pipe Launcher

#### PN 2126



**CONVERTIBLE!**  
Remove base for  
beam clamp roller.

#### PN 2126HD



**EXPANDABLE!**  
Add rollers to  
increase capacity.

### SPECIFICATIONS

- Pipe capacity: 4" - 48"
- Weight capacity: PN 2126 - 10,000 lbs.  
PN 2126HD - 20,000 lbs.
- Shipping weight: PN 2126 - 162 lbs.  
PN 2126 HD - 213 lbs.
- Dimensions: PN 2126 - 30" L x 36" W x 16" - 19" H  
PN 2126HD - 30" L x 36" W x 16" - 19" H
- Urethane over steel wheels with sealed bearings.
- 10" wheels.
- 2126: 2 wheels, 10,000 lbs. capacity  
2126HD: 6 wheels, 20,000 lbs. capacity
- All wheels and housings are replaceable.
- Carry handles.
- Powder coated safety red.
- Stackable nesting design.



PN	Description	Pipe Capacity	Weight Capacity	Shipping Weight	Dimensions (inches) L x W x H1-H2
2126	Pipe Launcher (Two Rollers)	4" - 48"	10,000 lbs.	162 lbs.	30" x 36" x 16" - 19"
2126HD	Pipe Launcher HD (Six Rollers)	4" - 48"	20,000 lbs.	213 lbs.	30" x 36" x 16" - 19"